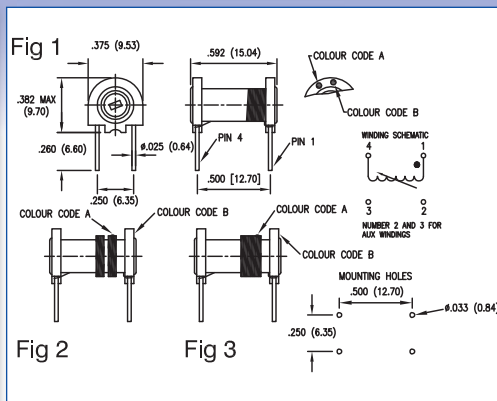
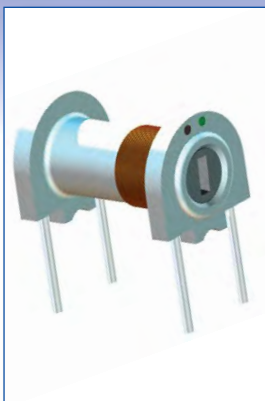


# VARIABLE COILS

Dimensions in inches (mm)



**Core Material**  
 -01 to -18 Carbonyl SF (Blue)  
 -19 to -37 Carbonyl E (Red)  
 -38 to -61 Carbonyl C (Yellow)

How to order code

**556 - 7120 - XX - 00 - 00**

Basic Part No. \_\_\_\_\_ Inductance Code \_\_\_\_\_

Fig.	Basic Part No.	Inductance ( $\mu$ H)		Colour Code		"Q" at L Min.	"Q" at L Max.	Test Frequency (MHz)	DCR Max.. ( $\Omega$ )	SRF Min.. (MHz)	
		Min.	Max.	A	B						
1	556-7120	-01	0.095	0.105	Brown	-	55	65	25.0	0.015	400
		-02	0.114	0.126	Red	-	55	65	25.0	0.023	370
		-03	0.142	0.158	Orange	-	70	70	25.0	0.025	330
		-04	0.171	0.189	Yellow	-	65	70	25.0	0.050	300
		-05	0.209	0.231	Green	-	75	80	25.0	0.024	280
		-06	0.256	0.284	Blue	-	80	80	25.0	0.025	250
		-07	0.314	0.347	Violet	-	80	85	25.0	0.027	235
		-08	0.370	0.420	Grey	-	85	85	25.0	0.030	220
		-09	0.420	0.520	White	-	85	85	25.0	0.035	200
		-10	0.520	0.610	Brown	Black	85	85	25.0	0.040	180
		-11	0.600	0.740	Brown	Brown	75	70	25.0	0.070	170
		-12	0.710	0.900	Brown	Red	80	85	25.0	0.080	150
		-13	0.890	1.12	Brown	Orange	80	80	25.0	0.100	140
		-14	1.08	1.32	Brown	Yellow	65	60	7.9	0.120	130
		-15	1.32	1.62	Brown	Green	70	70	7.9	0.200	120
		-16	1.62	1.97	Brown	Blue	65	70	7.9	0.350	108
		-17	1.97	2.43	Brown	Violet	60	65	7.9	0.500	95.0
		-18	2.42	2.96	Brown	Grey	60	65	7.9	0.600	88.0
		-19	2.96	3.64	Brown	White	65	65	7.9	0.900	80.0
		-20	3.50	4.27	Red	Black	70	65	7.9	1.00	75.0
		-21	4.24	5.20	Red	Brown	65	65	7.9	1.20	68.0
		-22	5.00	6.30	Red	Red	70	70	7.9	1.40	62.0
		-23	6.10	7.50	Red	Orange	70	70	7.9	1.60	57.0
		-24	7.30	8.90	Red	Yellow	70	70	7.9	2.00	52.0
		-25	8.50	11.5	Red	Green	70	70	7.9	2.20	48.0
		-26	10.8	13.2	Red	Blue	50	55	2.5	2.70	44.0
		-27	13.2	16.5	Red	Violet	40	50	2.5	4.20	40.0
2	556-7120	-28	16.2	19.5	Red	Grey	60	70	2.5	2.20	15.0
		-29	19.5	24.3	Red	White	65	75	2.5	2.40	13.5
		-30	24.2	29.5	Orange	Black	75	80	2.5	2.60	12.0
		-31	29.5	36.5	Orange	Brown	65	75	2.5	2.80	11.5
		-32	35.0	43.0	Orange	Red	65	75	2.5	3.00	10.5
		-33	42.0	51.5	Orange	Orange	65	75	2.5	3.20	9.50
		-34	50.0	62.0	Orange	Yellow	65	75	2.5	3.50	9.00
		-35	61.0	75.0	Orange	Green	60	65	2.5	4.00	8.20
		-36	74.0	90.0	Orange	Blue	65	70	2.5	4.50	7.70
		-37	90.0	110	Orange	Violet	60	65	2.5	5.00	7.00
		-38	108	132	Orange	Grey	65	80	0.79	5.50	6.50
		-39	130	165	Orange	White	70	80	0.79	6.00	6.00
		-40	160	200	Yellow	Black	70	85	0.79	7.00	5.50
		-41	195	245	Yellow	Brown	70	85	0.79	8.00	5.00
		-42	240	300	Yellow	Red	75	85	0.79	10.0	4.60
		-43	295	365	Yellow	Orange	70	85	0.79	15.0	4.20
		-44	350	430	Yellow	Yellow	75	85	0.79	15.0	4.00
		-45	420	520	Yellow	Green	65	70	0.79	22.0	3.70
		-46	500	620	Yellow	Blue	65	70	0.79	24.0	3.50
		-47	600	750	Yellow	Violet	65	70	0.79	26.0	3.20
3	556-7120	-48	740	900	Yellow	Grey	60	65	0.79	30.0	1.60
		-49	900	1100	Yellow	White	65	70	0.79	35.0	1.50
		-50	1050	1350	Green	Black	32	42	0.25	42.0	1.30
		-51	1300	1650	Green	Brown	32	42	0.25	50.0	1.20
		-52	1600	2000	Green	Red	32	42	0.25	67.0	1.10
		-53	1950	2450	Green	Orange	32	42	0.25	78.0	1.00
		-54	2400	3000	Green	Yellow	32	42	0.25	90.0	0.950
		-55	2950	3650	Green	Green	32	42	0.25	105	0.900
		-56	3500	4300	Green	Blue	32	42	0.25	125	0.800
		-57	4200	5150	Green	Violet	34	36	0.25	140	0.750
		-58	5000	6200	Green	Grey	35	40	0.25	170	0.700
		-59	6100	7500	Green	White	35	36	0.25	190	0.650
		-60	7400	9000	Blue	Black	32	32	0.25	220	0.580
		-61	9000	11000	Blue	Brown	32	36	0.25	250	0.500

Temperature Range: -55°C to +105°C

For RoHS Compliant add suffix -LF to the part number  
 Windings are varnish impregnated and powdered iron  
 cores are moisture proofed  
 Recommended tuning tool 435-1522-01-00-00